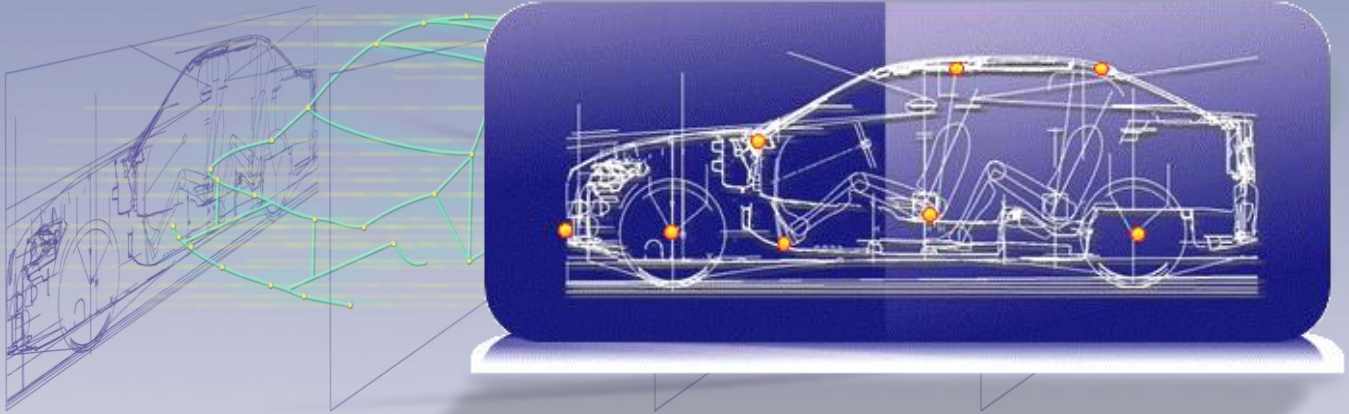


Fully Integrated in CATIA

FORCEFIVE

# FCM<sup>®</sup> Section Master

CAA<sup>v5</sup>  
BASED



Automotive – Transportation - Aerospace - Ship Building - Consumer Goods

## What is FCM Section Master?

*FCM Section Master* is a CATIA V5 add on tool, that enables the creation of concept product design geometry. It integrates the ease of sketching in 2D mode with the dynamic positioning of DMU sections in a unique and seamless tool. *FCM Section Master* can be used in any CATIA workbench, such as GSD, providing benefits for the rest of the design process and production design.

## What does FCM Section Master offer to me?

*FCM Section Master* offers all the tools required to enhance working with package, concept and experimental sections used for design decisions, variant comparison and package planning. With its unique entire vehicle intersection for smooth usable results and with its fast manipulation and management tools that are not available in normal CATIA, concept sections can be done trouble-free..

## How does FCM Section Master improve my Product Development Process?

The process of creating, modifying and managing sections in native CATIA is limited. In contrast to CATIA with *FCM Section Master* extremely fast (one-click) generation of smooth sketch curves is possible, irrespective of the large number of models. *FCM Section Master* provides an ideal, time-saving and efficient workflow in the development and decision-making phases.

## Do I need to be a CAD Specialist to use FCM ?

No! *FCM Section Master* is easy to learn! Even for non-CATIA-users and non-CAD-specialists.

## Who offers training and best practices ?

ForceFive and it's business partners offer training and special workshops, at ForceFive facilities or onsite at your offices.

## Advantages & Benefits

- ❖ fully integrated into CATIA V5
- ❖ easy to use and to learn
- ❖ efficient and fast creation of sections
- ❖ intersection through entire vehicle while still gaining usable permanent results
- ❖ Sketch Intersection associative though multiple body

- ❖ fast and efficient storing and loading of sections
- ❖ no problems with RAM/memory
- ❖ using non-CATIA V5 geometry for master section books
- ❖ ideal workflow for multidisciplinary process
- ❖ up to 90% time saved in your design process

FORCEFIVE

Tel.: +49 89 452438 10  
FAX: +49 89 452338 22  
[www.fast-concept-modeller.de](http://www.fast-concept-modeller.de)

For full description and detailed Information,  
please contact: [fcm@forcefive.de](mailto:fcm@forcefive.de)

